

Hydril Pressure Control MSP™ 29 & 30

29-500 psi and 30-1000-psi Diverter

Set large casing with diverter protection

Product description

The HMH MSP (Medium Service Pressure) 29" 500-psi and 30" 1000-psi are large-bore, annular-type diverters that effectively reroute the flow of low-pressure gas on surface installations. Both bore sizes permit the hole to be drilled full-bore and accommodate the setting of even the largest surface casing without removing the diverter. For flexibility, this exceptional product can also serve as a blowout preventer with up to a 1,000 psi rating.

- Single packing element made with legendary Hydril elastomers
- Conforms to API 16A

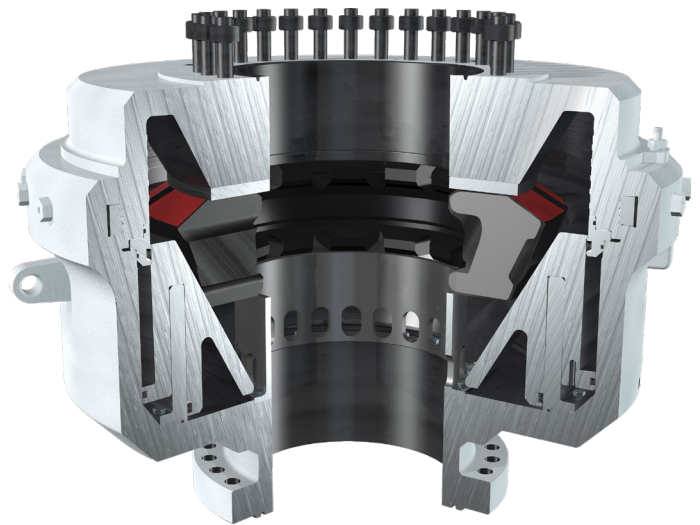
Benefits

Field-proven for more than 40 years, the MSP 29" 500-psi and the 30" 1000-psi are work-horses, in wide use today because they perform reliably and cost-effectively, providing diversion control during drilling operations and doubling as a BOP.

Unlike other large-bore diverters, the MSP 29" 500-psi and the 30" 1000-psi will close and seal in any pipe in the wellbore or completely seal off the open hole without adding inserts or changing to different packing unit.

Key features

- The MSP shares numerous features that enable pressure control annular blowout preventers to deliver exceptional performance. The MSP has:
- Only two moving parts, the piston and packing unit, for less wear, maintenance and downtime
- Back-to-front feedable rubber that allows the packing unit to strip tool joints under pressure or to close and seal on almost any shape in the drill string, or the open hole
- A packing unit and seals that use the same basic design and materials as our high-pressure units
- A conical bowl design on the piston, which provides a simple and efficient method of closing the packaging unit



Engineering Data

Product			MSP 29.00" 500-psi		MSP 30.00" 1000-psi	
Bore (inches)			29.50 in.	749 mm	30.00 in.	762 mm
Head type			Latched	–	Radial Latch	–
Closing pressure (psi)						
Working pressure (psi)			500 psi	34 bar	1,000 psi	69 bar
Gal. to close			60 gal	227 L	87.6 gal	332 L
Gal. to open			–	–	27.8 gal	105 L
Height	Flanged bottom	Rated	67.81 in.	1722 mm	59.63 in.	1515 mm
Weight	Flanged bottom	Rated	24,500 lbs	11,113 kg	32,500 lbs	14,742 kg
Body clearance diameter			82.50 in.	2096 mm	92.75 in.	2356 mm
API 16A conformance status			3rd Ed.		4th Ed., PR1	